

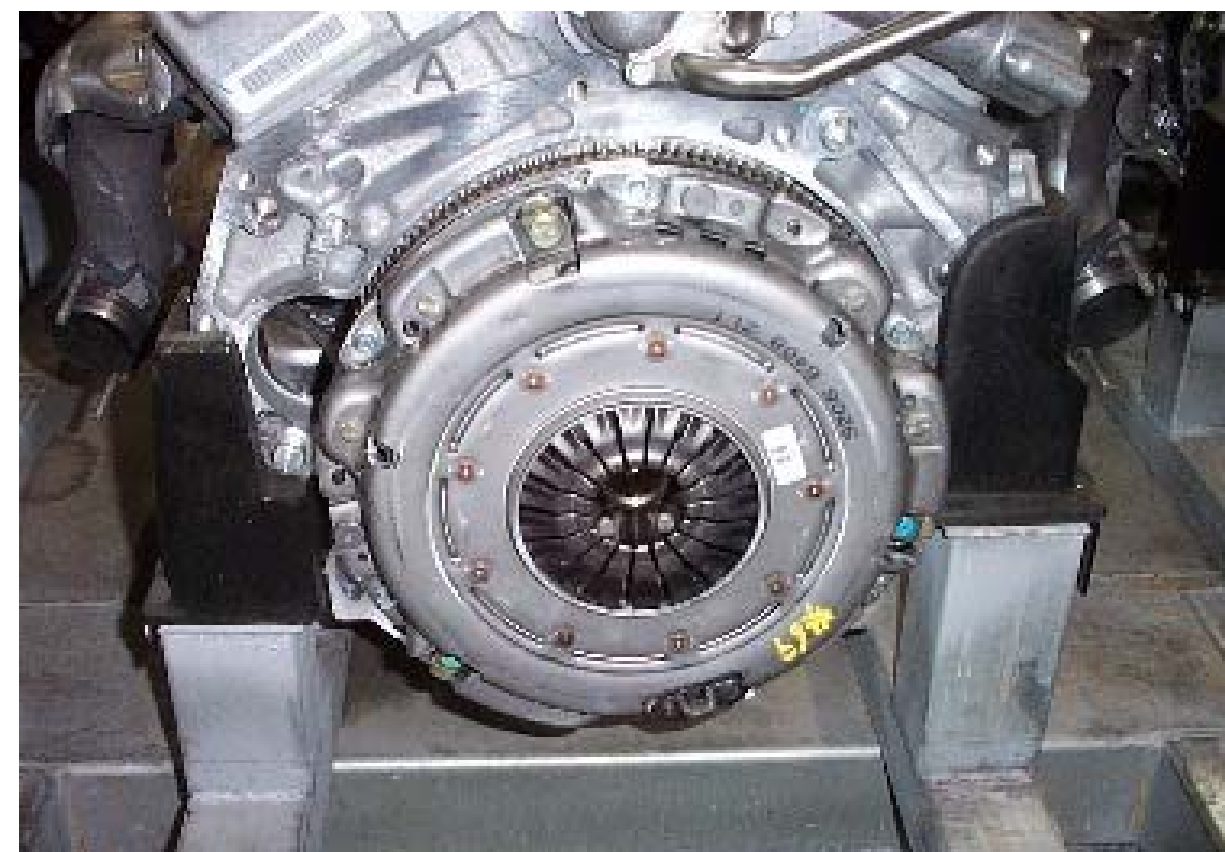


Australian Inhibitor

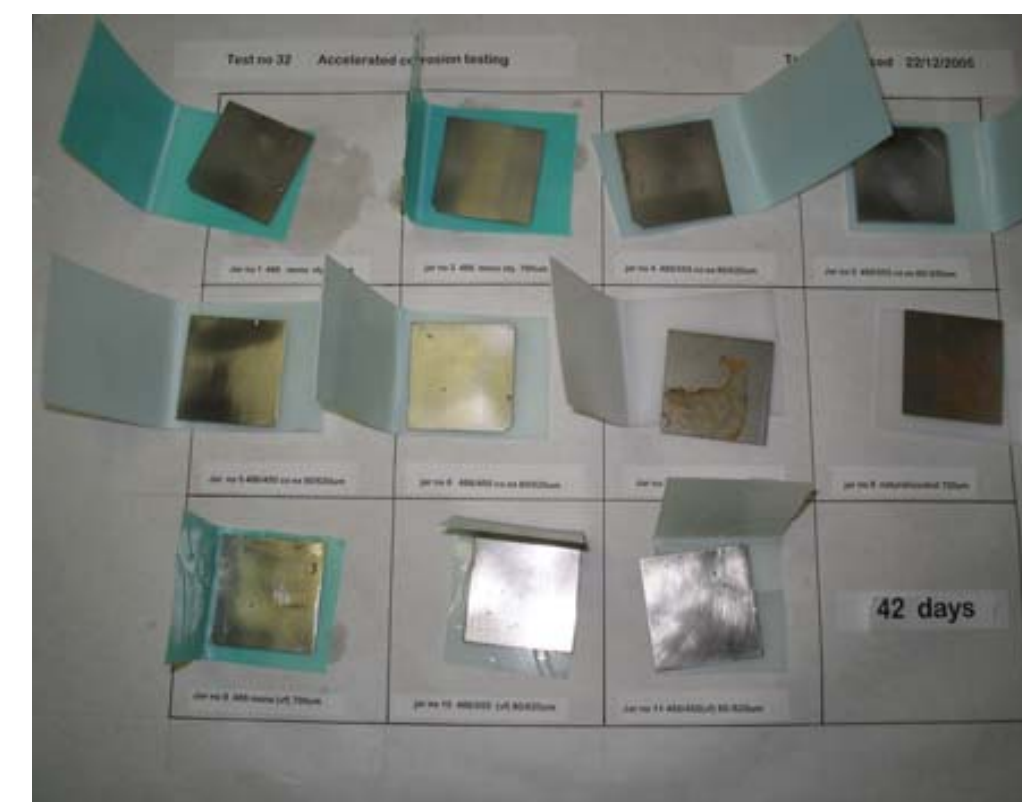
Proudly Protecting Australia's Local and Export Industries

VCI RIGID PLASTIC PROTECTION

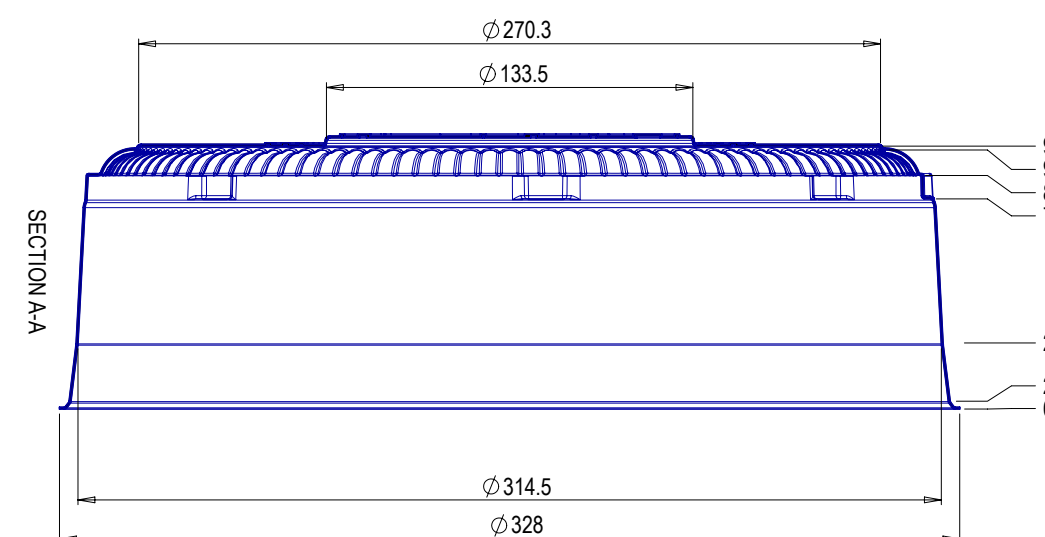
Potential corrosion problem with export engines (coolant water damage)



Export engines
Saab, Alpha, Isuzu i190, Opel



Investigations, research and laboratory trials of various Rigid Plastic Materials



Design



VCI corrosion inhibitors in mono and co-extruded rigid plastic protecting clutch / flywheel